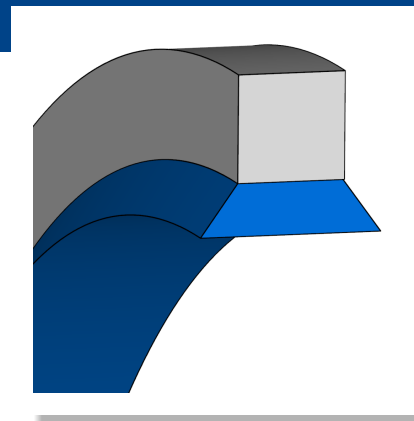




Bonded seal USIT I



DESCRIPTION

- Elastomer sealing lip vulcanized on the inside
- Sealing material: FKM, NBR
- Material metal ring: high tensile steel SPCC-1B (similar to DC01C590), stainless steel SUS 304 (similar to X5CrNi 18-10), steel SPCC (similar to DC01C290)

FUNCTION

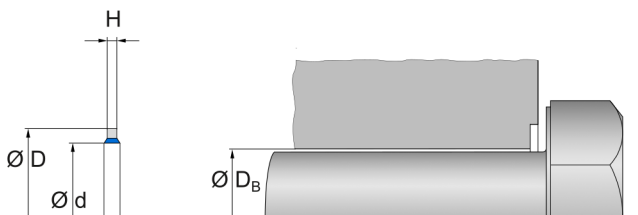
- Provides protection against dirt from outside, prevents leakage of media, no pressure loss
- Sealing effect due to compression of the elastomer lip

PRODUCT ADVANTAGES

- Excellent sealing effect
- Metal washer ensures controlled pressing
- Simple assembly
- Reusability
- Wide delivery spectrum (almost all standard dimensions from stock)

APPLICATIONS

- Sealing of screw connections and flange connections, e.g. in mechanical engineering



APPLICATION LIMITS

- Permissible maximum values depending on the other operating conditions, see technical manual.

MEDIA RESISTANCE

- Please refer to resistance information in the chemical resistance guide at www.fst.com.

CONFORMITY AND CERTIFICATES

- Please consult the material data sheet valid for the respective material for current information on approvals and certificates, as this information depends on the compound and cannot be listed exhaustively here.

DESIGN GUIDELINE

- Please refer to the technical manual for design guidelines.

INSTALLATION GUIDELINE

- The prerequisite for perfect function of the seal is careful installation in accordance with the technical manual.

STORAGE ADVISE

- Storage temperature <math>< 25^{\circ}\text{C}</math>
- No direct heat sources
- No direct sunlight
- No condensation in the storage room
- No exposure to ozone or ionizing radiation
- Recommendations based on the revision of ISO 2230 dated 16.09.1992