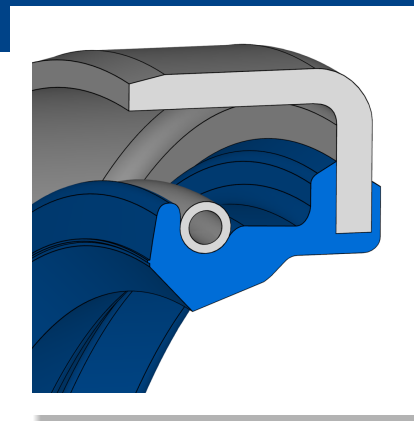




Radial shaft seal Simmerring® B1



DESCRIPTION

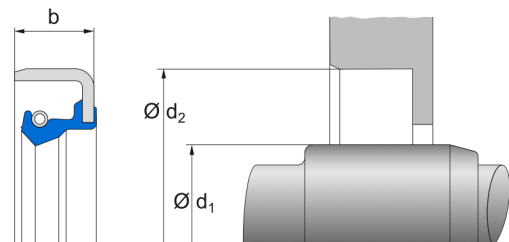
- Standard design according to DIN 3760
- With tension spring
- Open metallic outer jacket
- Without protective lip
- Sealing material: FKM, NBR
- Material reinforcement sheet: unalloyed steel DIN EN 10027-1
- Material tension spring: spring steel DIN EN 10270-1

FUNCTION

- Dynamic sealing of a rotating shaft, independent of the direction of rotation
- Self-retaining
- Good static seal between sealing lip and shaft at standstill
- Metallic outer jacket ensures tight and precise fit
- Additional gluing of the seal into the housing is recommended
- Limited sealing of low-viscosity and gaseous media and in split housings

PRODUCT ADVANTAGES

- Tight fit (interference fit)
- Highest quality



- Highest functional reliability
- Longest service life

APPLICATIONS

- Industrial gearboxes
- Axles (with moderate exposure to dirt)
- Electric tools
- Heavy industry (cranes, calender gears, etc.)

APPLICATION LIMITS

- Permissible maximum values depending on the other operating conditions, see technical manual.

MEDIA RESISTANCE

- Mineral oils
- Synthetic oils
- Greases
- When using synthetic oils, please note that the maximum operating temperature for NBR materials must not exceed 80°C.
- Please refer to additional information in the chemical resistance guide at www.fst.com.

CONFORMITY AND CERTIFICATES

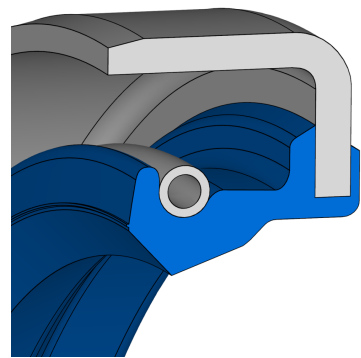
- Please consult the material data sheet valid for the respective material for current information on approvals and certificates, as this information depends on the compound and cannot be listed exhaustively here.

DESIGN GUIDELINE

- Please refer to the technical manual for design guidelines.



Radial shaft seal Simmerring® B1



INSTALLATION GUIDELINE

- The prerequisite for perfect function of the seal is careful installation in accordance with the technical manual.
- Recommendation: Design the installation space so that axial support in the housing
- Please refer to the technical manual for further installation instructions.

STORAGE ADVISE

- Storage temperature <math><25^{\circ}\text{C}</math>
- No direct heat sources
- No direct sunlight
- No condensation in the storage room
- No exposure to ozone or ionizing radiation
- Recommendations based on the revision of ISO 2230 dated 16.09.1992

The designation of this seal for sealing rotating shafts is radial shaft seal according to DIN/ISO. The name Simmerring® is a registered trademark of the Freudenberg company. The information contained herein is believed to be reliable, but no representations, warranties or guarantees of any kind are made as to its accuracy or suitability for any purpose. The information reproduced herein is based on laboratory testing and is not necessarily indicative of end product performance. Complete testing and performance of the end product is the responsibility of the user.
© Freudenberg FST GmbH | www.fst.com