



# Wiper AE41

## DESCRIPTION

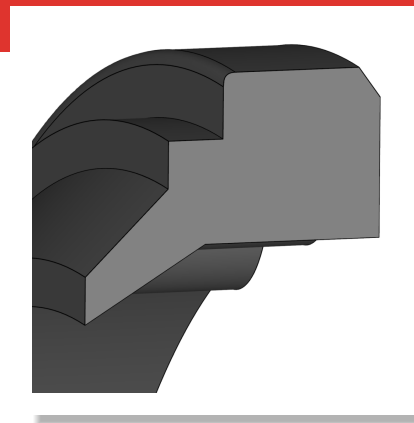
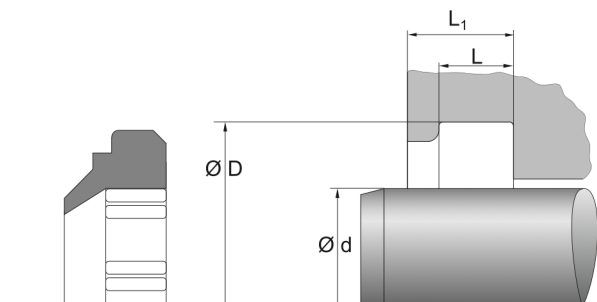
- Single acting
- Protruding wiper lip
- With support segments
- Without metal angle ring
- Additional diameter step on the outer seat
- Material: NBR

## FUNCTION

- Wiping off impurities on the piston rod during the retraction movement
- Support segments prevent twisting of the wiper in the installation space

## PRODUCT ADVANTAGES

- Additional diameter step on the outer seat leads to stronger sealing and wiping effect
- Good wiping properties against dirt
- Very good wiping ability against dirt
- No pressure relief hole required
- Ribs on the inner diameter ensure a functionally correct fit
- Particularly suitable for high stroke speeds
- Reliable design with broad application spectrum for moderately demanding applications in general industry



- Good price/performance ratio
- Manufactured by certified external suppliers

## APPLICATIONS

- Hydraulics
- Pneumatics

## APPLICATION LIMITS

- Temperature [°C]: -30 to 100
- Gliding speed [m/s]: max. 1
- The values given here are maximum values and may not all be reached at the same time.

## MEDIA RESISTANCE

- Hydraulic oils according to DIN 51524 part 1-3
- Lubricating oils
- Lubricating greases based on minor oils
- Flame-retardant hydraulic fluids HFA, HFB, HFC according to VCMA 24317

## CONFORMITY AND CERTIFICATES

- Please consult the material data sheet valid for the respective material for current information on approvals and certificates, as this information depends on the compound and cannot be listed exhaustively here.

## DESIGN GUIDELINE

- Cylinder housing and piston rod/piston must be chamfered to prevent damage
- Surface roughness of rod according to specifications of seal used
- Surface roughness of groove flanks  $Ra \leq 4 \mu m$
- Surface roughness of groove base  $Ra \leq 2,5 \mu m$

 DICHTOMATIK

## Wiper AE41



### INSTALLATION GUIDELINE

- Installation in axially semi-closed installation spaces
- Deburr sharp edges, provide with seamless chamfers and radii
- Clean the installation space carefully before installation, remove dust, dirt, metal chips, etc.
- Grease mounting surfaces and seal

### STORAGE ADVISE

- Storage temperature <25°C
- No direct heat sources
- No direct sunlight
- No condensation in the storage room
- No exposure to ozone or ionizing radiation
- Recommendations based on the revision of ISO 2230 dated 16.09.1992

The information contained herein is believed to be reliable, but no representations, warranties or guarantees of any kind are made as to its accuracy or suitability for any purpose. The information reproduced herein is based on laboratory testing and is not necessarily indicative of end product performance. Complete testing and performance of the end product is the responsibility of the user.

© Freudenberg FST GmbH | [dichtomatik.fst.com](http://dichtomatik.fst.com)